

Pasión 12SP Powered Subwoofer



PRODUCT INTRODUCTION

Thank you for choosing JBL.

The new JBL Pasión 12SP Powered Subwoofer integrates a high-performance woofer and built-in high-efficiency amplifier for powerful, deep and accurate low-frequency reproduction. Whether combined with Pasión Series or your favorite full-range speakers, the Pasión 12SP can greatly enhance music dynamics and sound immersion for a wide range of professional and home entertainment sound reinforcement applications. With variable crossover, phase and volume control, as well as three power switch modes, the Pasión 12SP is highly adjustable yet easy to set up.

Features:

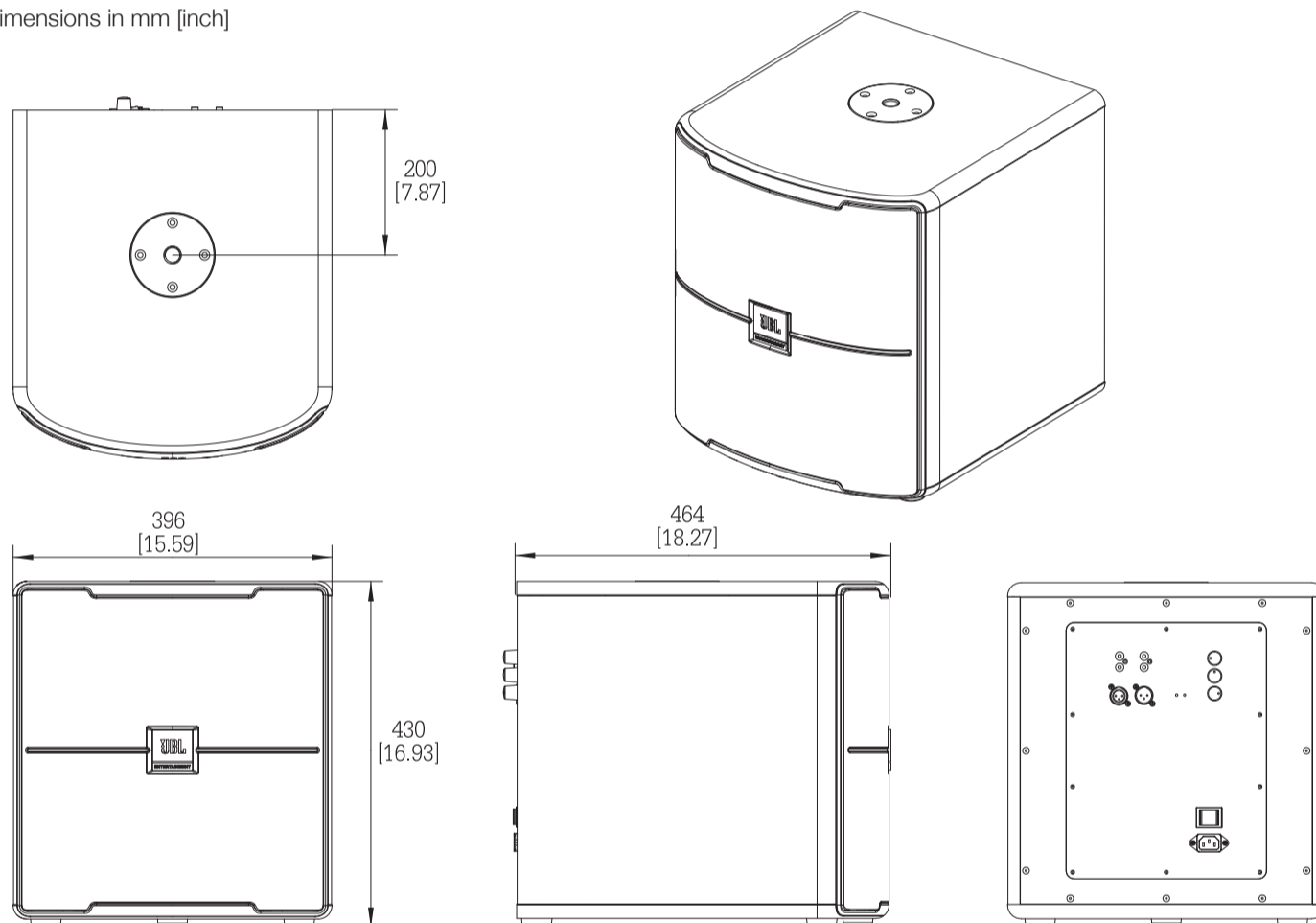
- Stylish appearance and compact footprint
- Specially designed high-power 12-inch woofer
- Cabinet constructed of high-quality board and covered with vinyl layer
- RCA and XLR inputs and thru outputs
- Variable volume, crossover and phase control
- Three power switch modes: AUTO/OFF/ON

This Quick Start Guide contains all the information related to the setup, connection and operation of this subwoofer. For more detailed information on this product, please visit our website: www.jblpro.com.



DIMENSIONS

Dimensions in mm [inch]



PACKING LIST

- 1) 1 × 12SP Subwoofer
- 1) 1 × Power Cable (plug type varies by region)
- 1) 1 × Quick Start Guide

SPECIFICATIONS

- Woofer Size: 12" (305 mm)
- Power: 300W RMS (450W dynamic)
- Volume Range: $-\infty$ to +10dB
- Frequency Response: 40Hz – 160Hz
- Crossover Frequency: 40Hz – 160Hz (variable) 24dB/octave
- Phase: 0° – 180° (variable)
- Input: 1x (R+L RCA); 1x XLR
- Output (Link): 1x (R+L RCA); 1x XLR
- System Type: Front facing, bass-reflex
- Power Supply: AC 100–240V, 50/60Hz
- Power Consumption (standby): < 0.5W
- Mounting: M20 (thread) speaker bracket mounting hole
- Dimensions (WxDxH): 396 × 464 × 430 mm
- Weight: 22.65 kg

OPERATING INSTRUCTIONS

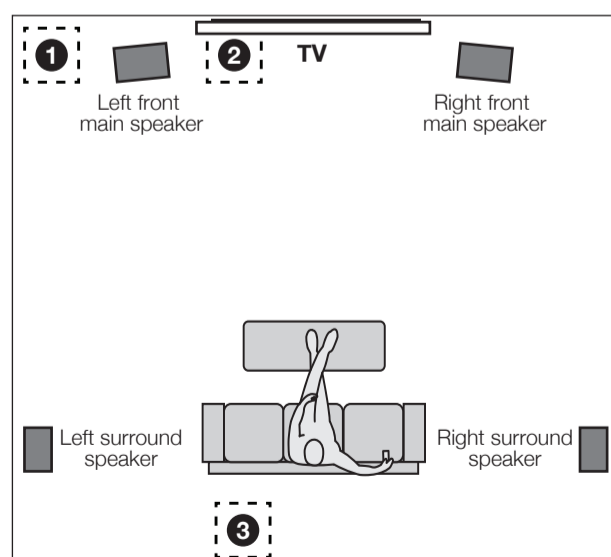
Placement

We suggest placing the subwoofer in one of three positions in the room. Please choose the position that provides practical placement and good sound quality based on the room environment.

1 Corner: This placement is usually practical and will maximize the low-frequency energy and immersion, due to corner reflections. However, in some rooms, the interference from the corner reflections may cause the low-end to sound less detailed and unnatural.

2 Front wall: This placement, in between the front left/right main speakers and on the same plane, offers excellent phase integration with the front main speakers.

3 Rear wall: In some rooms, placing the subwoofer behind the listening position can also achieve good results. However, when using this position, take care to adjust the subwoofer's phase control for proper phase correlation.

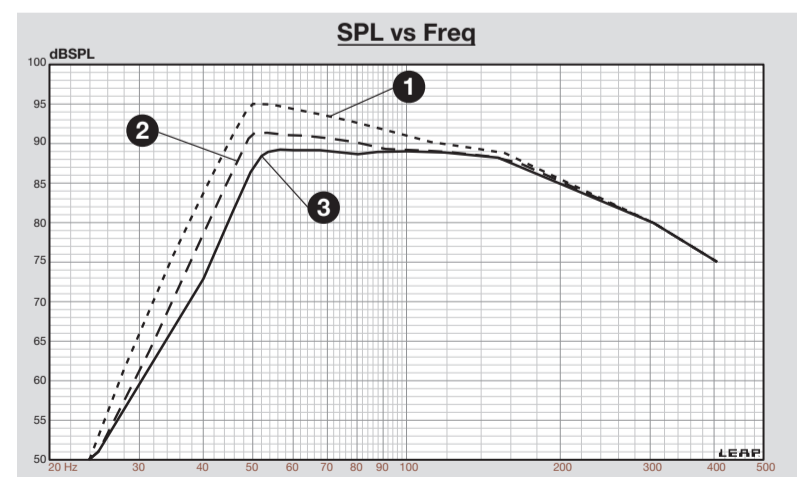


Connection

1) As shown in the diagram on the reverse page, this product provides two input connector types: RCA and XLR. Connect the source (e.g., preamplifier, mixer, DVD player) output to the corresponding input using the appropriate cable type.

* Please note that only one of the input connector types can be selected during setup.

2) The RCA or XLR link output can be connected to the input of an additional subwoofer or preamplifier if required for your application.



Due to the strong vibrational energy, it is best to place the subwoofer on the ground. To avoid abnormal vibration, do not place it on the same table as a TV set or other electrical equipment, which may affect the lifespan of the electrical equipment. If the room area is less than 30m², one subwoofer is sufficient. If the room area exceeds 50m², it is recommended to use two subwoofers. Consider the best placement for the listening area. In a home room, it is better to place the subwoofer along the same plane as the left and right front speakers, so that the frequency response of the subwoofer integrates smoothly with the front speakers. For reference, the above graph shows a comparison of the subwoofer's frequency response when placed in the previously mentioned positions.

OPERATING INSTRUCTIONS (CONTINUED)

Operation Introduction

This subwoofer provides four controllable functions: power switch mode, volume, crossover and phase (as shown in the diagram to the right).

1) Power switch mode:

The power switch has three positions, corresponding to the three power modes. The middle ("OFF") position powers off the subwoofer. When switched to the "ON" position, the subwoofer remains on. When switched to the "AUTO" position, the subwoofer automatically enters standby mode when no audio signal is detected for ~15 minutes; when audio signal is detected, the subwoofer automatically turns back on. When the subwoofer is powered on, the "POWER" LED lights; in standby, the "STB" LED lights.

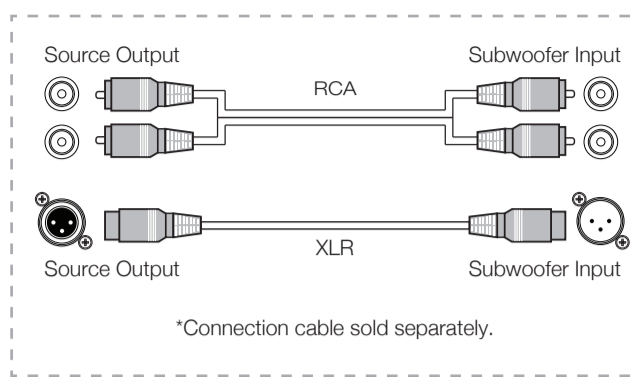
2) Volume:

This control is used to control the volume of the subwoofer. Turning the knob clockwise increases the volume; turning it counterclockwise decreases the volume.

The subwoofer volume should be adjusted to achieve the desired balance between the subwoofer and the left and right main speakers. Since humans hear loudness across the frequency spectrum according to researched equal-loudness contour curves, the sound pressure level of the subwoofer should be optimal at approximately 2–5dB higher than the main speakers. However, it should be adjusted according to the program source. For example, when watching program material that primarily contains dialog, too much low-end will affect speech intelligibility. If this occurs, turn down the subwoofer volume or try turning it off. If watching a movie, you can turn up the subwoofer volume to increase the impact of the low-frequency effects (LFE). If reproducing singing or music that is vocal intensive, the subwoofer level may need to be moderate to provide a natural sound quality.

3) Crossover:

This control is used to adjust the cutoff frequency of the subwoofer's built-in low-pass filter and is adjustable from 40Hz to 160Hz. The purpose of this adjustment is to provide a smooth transition through the frequency range where the subwoofer and main speakers overlap.

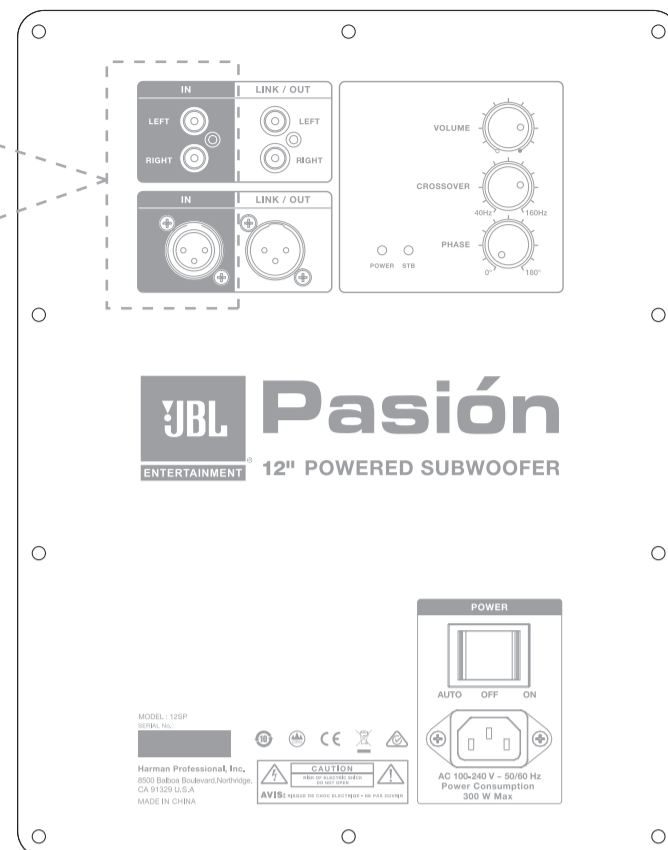


To achieve a full and natural frequency response transition, adjust the subwoofer's crossover control to match the -6dB cutoff frequency of the left and right main speakers, if known. If the low-frequency cutoff point of the main speakers is unknown, audition full bandwidth reference program and adjust the crossover to taste.

4) Phase:

The phase control is used to adjust the subwoofer's phase to match the phase of the main speakers. This phase correlation can be affected by the offset in distance between the main speakers and subwoofer in relation to the listening position, which results in cancellation of low frequencies and a hollow sound quality.

Generally, if the subwoofer and main speakers are placed along the same front-wall plane (as shown using placement #2 in the diagram on the reverse page), the phase control can be set to 0°. To judge proper phase alignment, sit in the listening position and have someone adjust the subwoofer's phase control until the bass sounds it's fullest.



Tuning tips:

After connecting the subwoofer and turning on the power, first adjust the main speaker volume to an ideal level, and then adjust the subwoofer volume to balance it with the main speakers. To select the optimal subwoofer location, disconnect or power down the main speakers and audition the subwoofer alone. Once the desired subwoofer location is determined, reintroduce the main speakers and adjust the crossover and phase settings until the desired sound quality is achieved.

SAFETY INSTRUCTIONS

1. Read these instructions.
2. Keep these instructions.
3. Heed all warnings.
4. Follow all instructions.
5. Do not use this apparatus near water.
6. Clean only with a dry cloth.
7. Do not block any ventilation openings. Install in accordance with manufacturer's instructions.
8. Do not install near any heat sources such as radiators, heat registers, stoves or other apparatus that produce heat.
9. Do not defeat the safety purpose of the grounding type plug. A polarized plug has two blades with one wider than the other. A grounding type plug has two blades and a third grounding prong. The wide blade or the third prong is provided for your safety. If the provided plug does not fit into your outlet, consult an electrician for replacement of the obsolete outlet.
10. Protect the power cord from being walked on or pinched particularly at plugs, convenience receptacle and the point where the power cord connects to the apparatus.
11. Only use attachments/accessories specified by the manufacturer.
12. Unplug this apparatus during lightning storms or when unused for long periods of time.
13. Refer all servicing to qualified service personnel. Servicing is required when the apparatus has been damaged in any way, such as power-supply cord or plug is damaged, liquid has been spilled or objects have fallen into the apparatus, the apparatus has been exposed to rain or moisture, does not operate normally or has been dropped.
14. The appliance coupler of the power supply cord is used as the ultimate disconnect device from the mains. The appliance coupler shall remain readily operable.
15. The apparatus shall be connected to a mains socket outlet with a protective earthing connection.
16. Any changes or modifications not expressly approved by the party responsible for compliance could void the user's authority to operate the equipment.

WARNING:

- To reduce the risk of fire or electrical shock, do not expose the apparatus to rain or moisture.
- Do not expose the apparatus to dripping or splashing, and do not place objects filled with liquids, such as vases, on the apparatus. No naked flame sources, such as lighted candles, should be placed on the apparatus.

CAUTION:

To reduce the risk of electronic shock, do not remove cover. No user serviceable parts inside. Refer servicing to qualified personnel. Do not expose this apparatus to rain or moisture.

WARRANTY INFORMATION

JBL offers a limited warranty on the 12SP Powered Subwoofer from the date of the original purchase.

WHO IS PROTECTED BY THIS WARRANTY?

Your JBL Warranty protects the original owner and all subsequent owners for one year, so long as: A.) Your JBL product has been purchased in China, Japan and/or other Asian countries. (This Warranty does not apply to JBL products purchased elsewhere except for purchases by military outlets. Other purchasers should contact the local JBL distributor for warranty information.); and B.) The original dated bill of sale is presented whenever warranty service is required.

WHAT DOES THE JBL WARRANTY COVER?

Except as specified below, your JBL Warranty covers all defects in material and workmanship. The following are not covered: Damage caused by accident, misuse, abuse, product modification or neglect; damage occurring during shipment; damage resulting from failure to follow instructions contained in your Instruction Manual; damage resulting from the performance of repairs by someone not authorized by JBL; claims based upon any misrepresentations by the seller; any JBL product on which the serial number has been defaced, modified or removed.

WHO PAYS FOR WHAT?

JBL will pay all labor and material expenses for all repairs covered by this warranty. Please be sure to save the original shipping cartons because a charge will be made if replacement cartons are requested. Payment of shipping charges is discussed in the next section of this warranty.

HOW TO OBTAIN WARRANTY PERFORMANCE

If your JBL product ever needs service, please contact your local dealer, Harman Authorized Service Center or Harman China Professional Product Customer Service Hotline (400 166 7806). We may direct you to an authorized JBL Service Agency or ask you to send your unit to the factory for repair. Either way, you'll need to present the original bill of sale to establish the date of purchase. Please do not ship your JBL product to the factory without prior authorization. If transportation of your JBL product presents any unusual difficulties, please advise us and we may make special arrangements with you. Otherwise, you are responsible for transporting your product for repair or arranging for its transportation and for payment of any initial shipping charges. However, we will pay the return shipping charges if repairs are covered by the warranty.

LIMITATION OF IMPLIED WARRANTIES

All implied warranties, including warranties of merchantability and fitness for particular purpose, are limited in duration to the length of this warranty.

EXCLUSION OF CERTAIN DAMAGES

JBL's liability is limited to the repair or replacement, at our option, of any defective product and shall not include incidental or consequential damages of any kind. Some states do not allow limitations on how long an implied warranty lasts and/or do not allow the exclusion of incidental or consequential damages, so the above limitations and exclusions may not apply to you. This warranty gives you specific legal rights, and you may also have other rights, which vary, from state to state.

CONTACT INFORMATION

Mailing Address:

JBL Professional
8500 Balboa Blvd.
Northridge, CA 91329

Customer Service:

Monday through Friday
8:00am – 5:00pm
Pacific Coast Time in the U.S.A.
(800) 8JBLPRO (800.852.5776)
www.jblproservice.com

On The World Wide Web:

www.jblpro.com

Shipping Address:

JBL Professional
8500 Balboa Blvd., Dock 15
Northridge, CA 91329

(Do not return product to this address without first obtaining prior authorization from JBL)

Professional Contacts, Outside the USA:

Contact the JBL Professional Distributor in your area. A complete list of JBL Professional international distributors is provided at our U.S.A. website: www.jblpro.com

Product Registration:

Register your product online at www.jblpro.com



HARMAN Professional 8500 Balboa Blvd. Northridge, CA 91329 USA